

深圳市普恩科技有限公司

地址：深圳市宝安区龙华镇民治街道民康路蓝坤大厦 1007

电话：0755-85286856 传真：0755-82484849

<http://www.salens.cn> sales@salens.cn

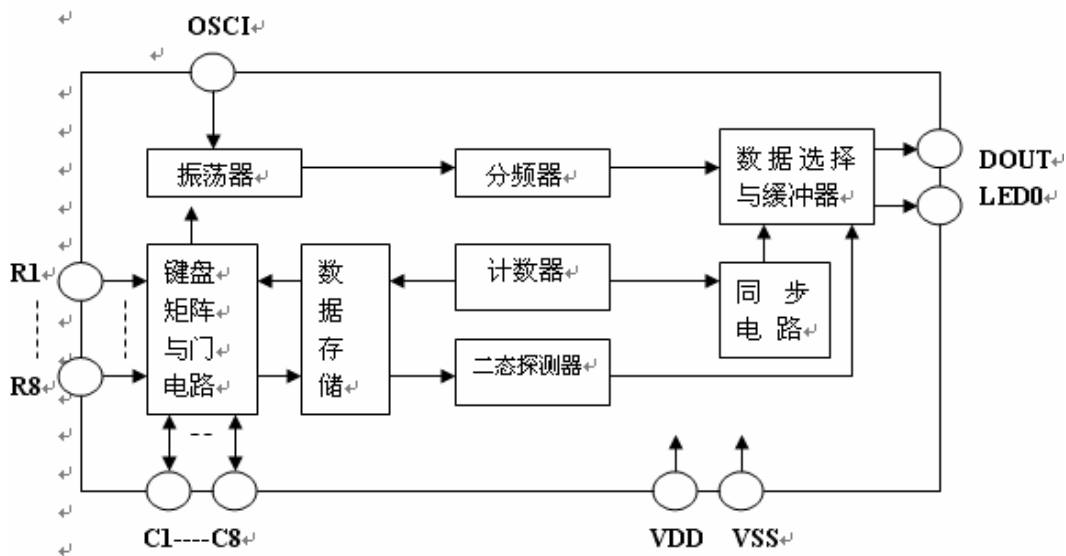
H6122

红外遥控编码器

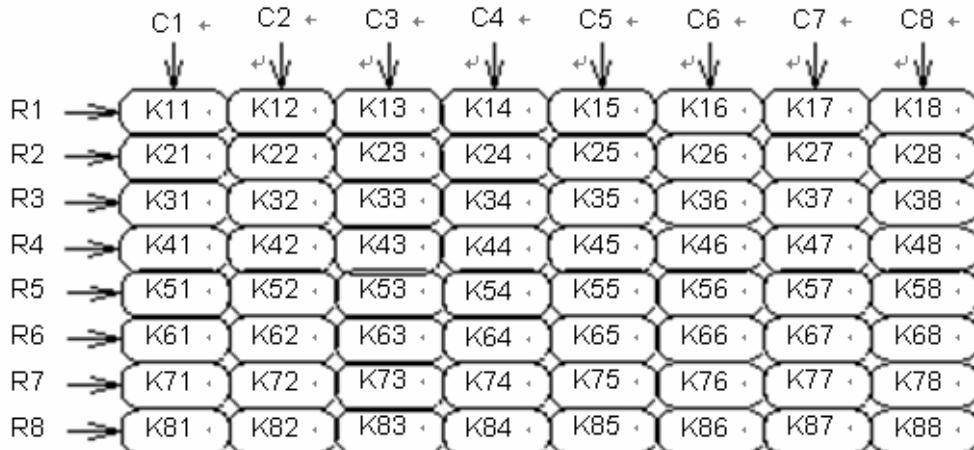
特点

- 工作电压：1.8V~3.5V
- 低功耗 CMOS 技术
- 高噪声抑制能力
- 外接 455KHz 振荡器作振荡电路输入
- DOUT 端直接输出载波为 38KHz 的编码信号
- 8 位数据码
- 编码采用脉冲位置调制方式 (PPM)
- 最多 64 个键设置。

内部框图



参考电路图

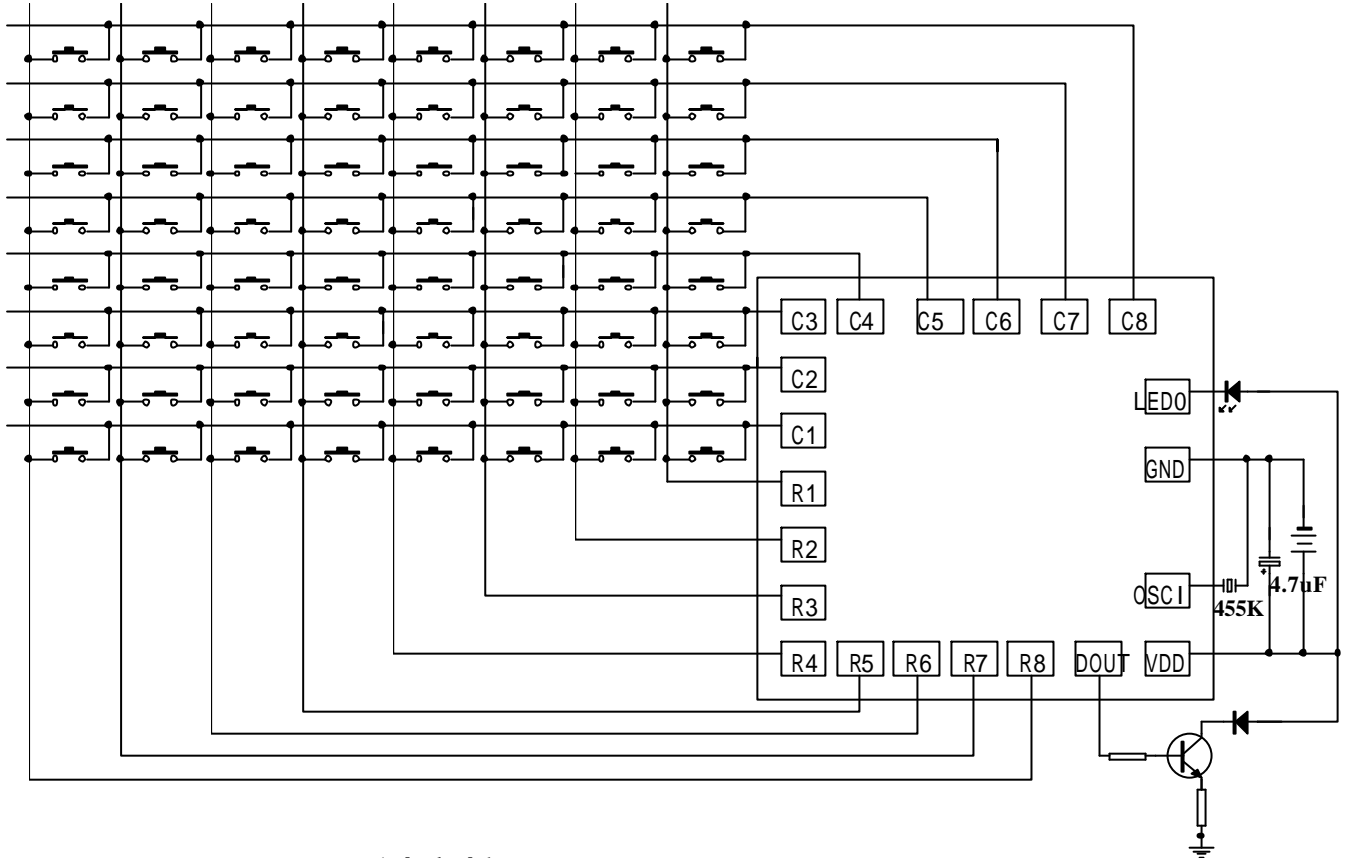


深圳市普恩科技有限公司

深圳市宝安区龙华镇民治街道民康路蓝坤大厦 1007

电话：0755-85286856 传真：0755-82484849

<http://www.salens.cn> sales@salens.cn



衬底接 VDD

PIN 脚功能描述 (CHIP SIZE : X=1020 , Y=1110)

| 脚位 | I/O | 坐标 (X / Y) | 功能说明 | 脚位 | I/O | 坐标 (X / Y) | 功能说明 |
|------|-----|---------------|--------|------|-----|---------------|------|
| GND | | 950/678 | 电源负极 | R1 | | 69/543 | 键扫描 |
| LED0 | O | 951/876 | LED 输出 | R2 | | 69/361 | 键扫描 |
| OSCI | I/O | 950/223 | 振荡器 | R3 | | 69/231 | 键扫描 |
| C1 | | 69/694 | 键扫描 | R4 | | 96/66 | 键扫描 |
| C2 | | 69/872 | 键扫描 | R5 | | 226/66 | 键扫描 |
| C3 | | 69/1037 | 键扫描 | R6 | | 356/66 | 键扫描 |
| C4 | | 249/1042 | 键扫描 | R7 | | 486/66 | 键扫描 |
| C5 | | 414/1042 | 键扫描 | R8 | | 616/66 | 键扫描 |
| C6 | | 592/1042 | 键扫描 | DOUT | | 747/66 | 遥控输出 |
| C7 | | 757/1042 | 键扫描 | VDD | | 950/66 | 电源正极 |
| C8 | | 949/1042 | 键扫描 | | | | |

深圳市普恩科技有限公司

深圳市宝安区龙华镇民治街道民康路蓝坤大厦 1007

电话：0755-85286856 传真：0755-82484849

<http://www.salens.cn> sales@salens.cn

极限参数

极限参数（除非特别说明， $T_{amb}=25$ ）

| 参数 | 符号 | 最小值 | 最大值 | 单位 |
|------|------|------|----------|----|
| 电源电压 | Vdd | 1.8 | 5.0 | V |
| 输入电压 | Vin | -0.5 | VDD+0.5 | V |
| 功耗 | Pd | | 250 | mw |
| 贮存温度 | Tstg | | -40~+125 | |
| 工作温度 | Topr | | -20~+75 | |

推荐工作条件（除非特别说明， $T_{amb}=25$ ）

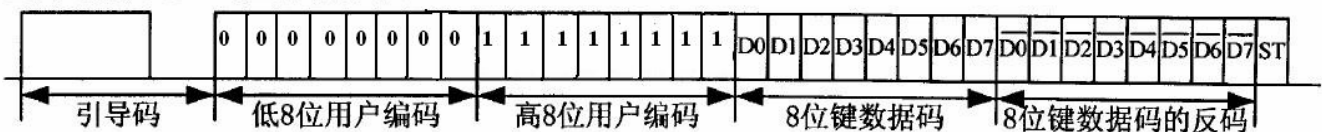
| 参数 | 符号 | 最小值 | 典型值 | 最大值 | 单位 |
|------|------|-----|-----|-----|-----|
| 电源电压 | Vdd | 2.0 | 3.0 | 3.6 | V |
| 振荡频率 | Fosc | 400 | 455 | 500 | KHz |
| 输入电压 | Vin | 0 | | Vdd | V |

功能描述

发射码

当按下任一键超过 36ms，振荡器被激活，电路开始正常工作。如果按键被按下且保持 108ms，在这个 108ms 中，电路将把由一个起始码（9ms）、一个结束码（4.5ms）、低 8 位地址码（9ms-18ms）、高 8 位地址码（9ms-18ms）和这 8 位数据码的反码（18ms-9ms）组成的一帧码发送出去。如果按键按下超过 108ms，接下来发射的代码将仅仅由起始码（9ms）和结束码（2.5ms）组成。

如下图所示：

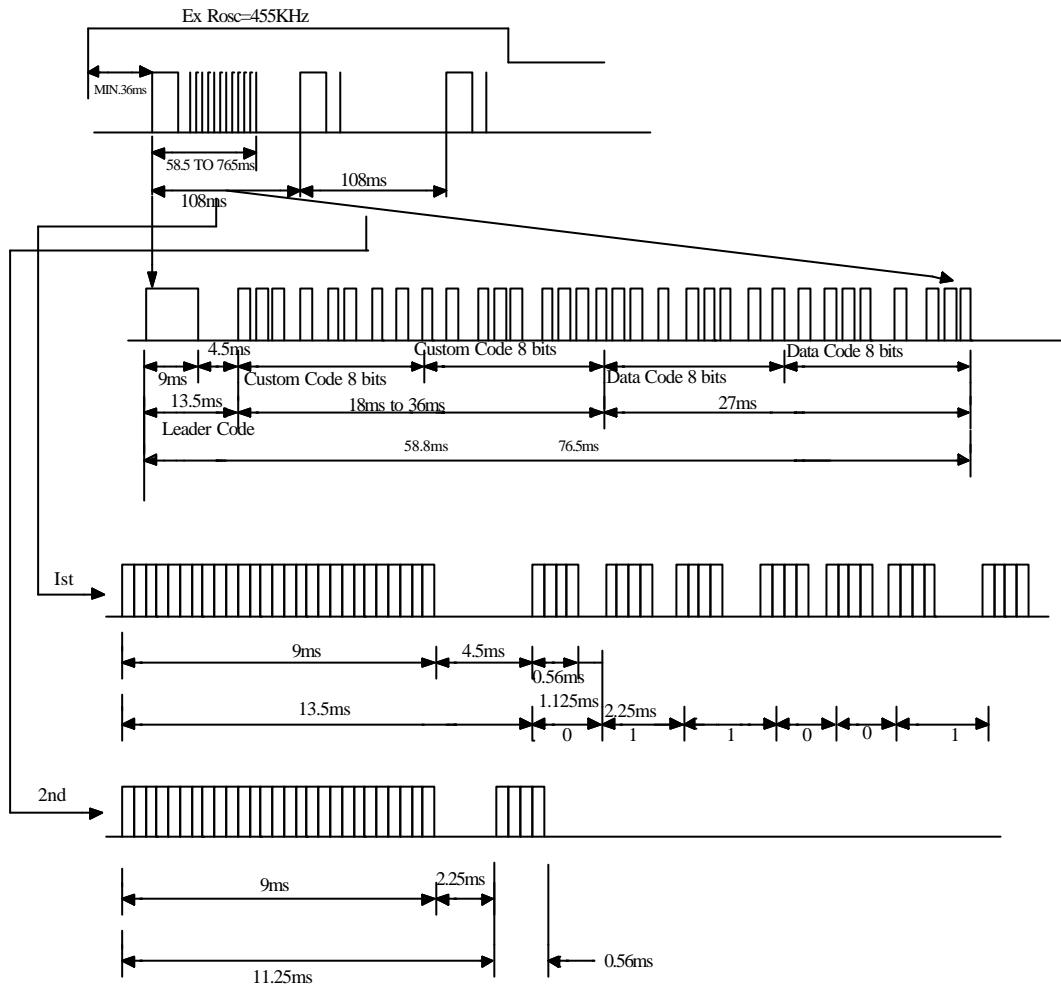


深圳市普恩科技有限公司

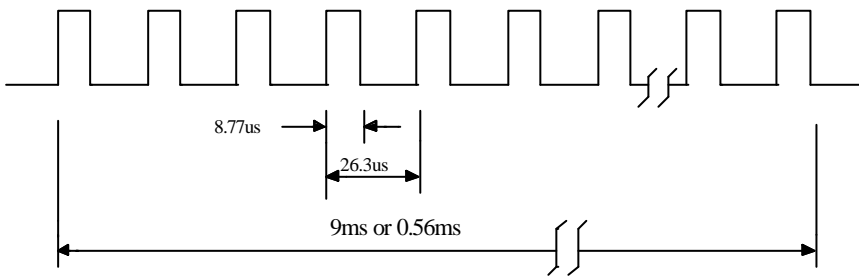
深圳市宝安区龙华镇民治街道民康路蓝坤大厦 1007

电话：0755-85286856 传真：0755-82484849

<http://www.salens.cn> sales@salens.cn



Carrier



深圳市普恩科技有限公司

深圳市宝安区龙华镇民治街道民康路蓝坤大厦 1007

电话：0755-85286856 传真：0755-82484849

<http://www.salens.cn> sales@salens.cn

键数据码

| 按键号 | 矩阵结点 | | | | | 键数据码 | | | | | | | |
|-----|------|----|----|----|----|------|----|----|----|----|----|----|----|
| | R1 | R2 | R3 | R4 | C | D0 | D1 | D2 | D3 | D4 | D5 | D6 | D7 |
| K11 | | | | | C1 | 0 | 0 | 0 | 0 | 0 | 0 | 0 | 0 |
| K21 | | | | | | 1 | 0 | 0 | 0 | 0 | 0 | 0 | 0 |
| K31 | | | | | | 0 | 1 | 0 | 0 | 0 | 0 | 0 | 0 |
| K41 | | | | | | 1 | 1 | 0 | 0 | 0 | 0 | 0 | 0 |
| K12 | | | | | C2 | 0 | 0 | 1 | 0 | 0 | 0 | 0 | 0 |
| K22 | | | | | | 1 | 0 | 1 | 0 | 0 | 0 | 0 | 0 |
| K32 | | | | | | 0 | 1 | 1 | 0 | 0 | 0 | 0 | 0 |
| K42 | | | | | | 1 | 1 | 1 | 0 | 0 | 0 | 0 | 0 |
| K13 | | | | | C3 | 0 | 0 | 0 | 1 | 0 | 0 | 0 | 0 |
| K23 | | | | | | 1 | 0 | 0 | 1 | 0 | 0 | 0 | 0 |
| K33 | | | | | | 0 | 1 | 0 | 1 | 0 | 0 | 0 | 0 |
| K43 | | | | | | 1 | 1 | 0 | 1 | 0 | 0 | 0 | 0 |
| K14 | | | | | C4 | 0 | 0 | 1 | 1 | 0 | 0 | 0 | 0 |
| K24 | | | | | | 1 | 0 | 1 | 1 | 0 | 0 | 0 | 0 |
| K34 | | | | | | 0 | 1 | 1 | 1 | 0 | 0 | 0 | 0 |
| K44 | | | | | | 1 | 1 | 1 | 1 | 0 | 0 | 0 | 0 |
| K15 | | | | | C5 | 0 | 0 | 0 | 0 | 1 | 0 | 0 | 0 |
| K25 | | | | | | 1 | 0 | 0 | 0 | 1 | 0 | 0 | 0 |
| K35 | | | | | | 0 | 1 | 0 | 0 | 1 | 0 | 0 | 0 |
| K45 | | | | | | 1 | 1 | 0 | 0 | 1 | 0 | 0 | 0 |
| K16 | | | | | C6 | 0 | 0 | 1 | 0 | 1 | 0 | 0 | 0 |
| K26 | | | | | | 1 | 0 | 1 | 0 | 1 | 0 | 0 | 0 |
| K36 | | | | | | 0 | 1 | 1 | 0 | 1 | 0 | 0 | 0 |
| K46 | | | | | | 1 | 1 | 1 | 0 | 1 | 0 | 0 | 0 |
| K17 | | | | | C7 | 0 | 0 | 0 | 1 | 1 | 0 | 0 | 0 |
| K27 | | | | | | 1 | 0 | 0 | 1 | 1 | 0 | 0 | 0 |
| K37 | | | | | | 0 | 1 | 0 | 1 | 1 | 0 | 0 | 0 |
| K47 | | | | | | 1 | 1 | 0 | 1 | 1 | 0 | 0 | 0 |
| K18 | | | | | C8 | 0 | 0 | 1 | 1 | 1 | 0 | 0 | 0 |
| K28 | | | | | | 1 | 0 | 1 | 1 | 1 | 0 | 0 | 0 |
| K38 | | | | | | 0 | 1 | 1 | 1 | 1 | 0 | 0 | 0 |
| K48 | | | | | | 1 | 1 | 1 | 1 | 1 | 0 | 0 | 0 |

深圳市普恩科技有限公司

深圳市宝安区龙华镇民治街道民康路蓝坤大厦 1007

电话：0755-85286856 传真：0755-82484849

<http://www.salens.cn> sales@salens.cn

| 按键号 | 矩阵结点 | | | | | 键数据码 | | | | | | | | |
|-----|------|----|----|----|----|------|----|----|----|----|----|----|----|---|
| | R5 | R6 | R7 | R8 | C | D0 | D1 | D2 | D3 | D4 | D5 | D6 | D7 | |
| K51 | | | | | C1 | 0 | 0 | 0 | 0 | 0 | 0 | 1 | 0 | |
| K61 | | | | | | 1 | 0 | 0 | 0 | 0 | 0 | 0 | 1 | 0 |
| K71 | | | | | | 0 | 1 | 0 | 0 | 0 | 0 | 0 | 1 | 0 |
| K81 | | | | | | 1 | 1 | 0 | 0 | 0 | 0 | 0 | 1 | 0 |
| K52 | | | | | C2 | 0 | 0 | 1 | 0 | 0 | 0 | 1 | 0 | |
| K62 | | | | | | 1 | 0 | 1 | 0 | 0 | 0 | 0 | 1 | 0 |
| K72 | | | | | | 0 | 1 | 1 | 0 | 0 | 0 | 0 | 1 | 0 |
| K82 | | | | | | 1 | 1 | 1 | 0 | 0 | 0 | 0 | 1 | 0 |
| K53 | | | | | C3 | 0 | 0 | 0 | 1 | 0 | 0 | 1 | 0 | |
| K63 | | | | | | 1 | 0 | 0 | 1 | 0 | 0 | 0 | 1 | 0 |
| K73 | | | | | | 0 | 1 | 0 | 1 | 0 | 0 | 0 | 1 | 0 |
| K83 | | | | | | 1 | 1 | 0 | 1 | 0 | 0 | 0 | 1 | 0 |
| K54 | | | | | C4 | 0 | 0 | 1 | 1 | 0 | 0 | 1 | 0 | |
| K64 | | | | | | 1 | 0 | 1 | 1 | 0 | 0 | 0 | 1 | 0 |
| K74 | | | | | | 0 | 1 | 1 | 1 | 0 | 0 | 0 | 1 | 0 |
| K84 | | | | | | 1 | 1 | 1 | 1 | 0 | 0 | 0 | 1 | 0 |
| K55 | | | | | C5 | 0 | 0 | 0 | 0 | 1 | 0 | 1 | 0 | |
| K65 | | | | | | 1 | 0 | 0 | 0 | 1 | 0 | 0 | 1 | 0 |
| K75 | | | | | | 0 | 1 | 0 | 0 | 1 | 0 | 0 | 1 | 0 |
| K85 | | | | | | 1 | 1 | 0 | 0 | 1 | 0 | 0 | 1 | 0 |
| K56 | | | | | C6 | 0 | 0 | 1 | 0 | 1 | 0 | 1 | 0 | |
| K66 | | | | | | 1 | 0 | 1 | 0 | 1 | 0 | 0 | 1 | 0 |
| K76 | | | | | | 0 | 1 | 1 | 0 | 1 | 0 | 0 | 1 | 0 |
| K86 | | | | | | 1 | 1 | 1 | 0 | 1 | 0 | 0 | 1 | 0 |
| K57 | | | | | C7 | 0 | 0 | 0 | 1 | 1 | 0 | 1 | 0 | |
| K67 | | | | | | 1 | 0 | 0 | 1 | 1 | 0 | 0 | 1 | 0 |
| K77 | | | | | | 0 | 1 | 0 | 1 | 1 | 0 | 0 | 1 | 0 |
| K87 | | | | | | 1 | 1 | 0 | 1 | 1 | 0 | 0 | 1 | 0 |
| K58 | | | | | C8 | 0 | 0 | 1 | 1 | 1 | 0 | 1 | 0 | |
| K68 | | | | | | 1 | 0 | 1 | 1 | 1 | 0 | 0 | 1 | 0 |
| K78 | | | | | | 0 | 1 | 1 | 1 | 1 | 0 | 0 | 1 | 0 |
| K88 | | | | | | 1 | 1 | 1 | 1 | 1 | 0 | 0 | 1 | 0 |