

深圳市普恩科技有限公司

地址：深圳市宝安区龙华镇民治街道民康路蓝坤大厦 1007

电话：0755-85286856 传真：0755-82484849

<http://www.salens.cn> sales@salens.cn

KC3710B

Features:

- Alarm siren sound
- ON/OFF: toggle switch.
- PANIC: continuous
- LED: 2Hz LED flash output

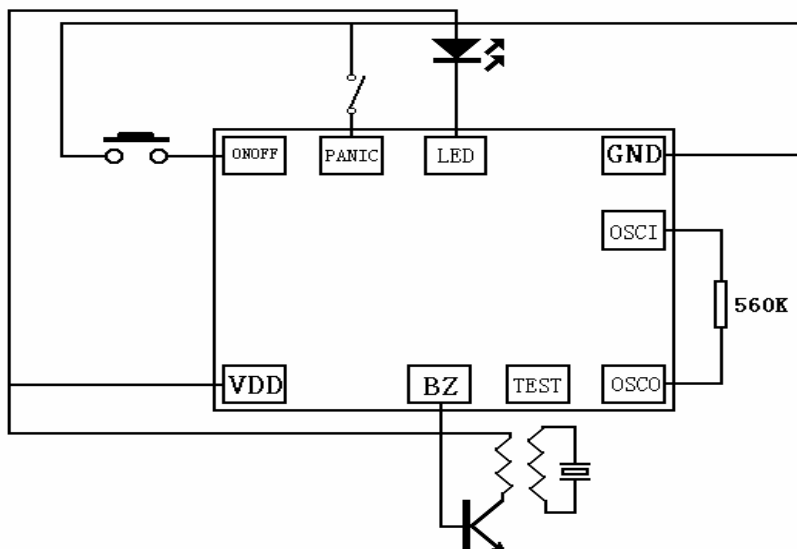
General Description:

This chip is a new type of CMOS sound generator designed with sound composite system using minimum application circuit .It is dedicated to the applications such as rhythm box, alarm, etc. and is easy for you to design your consumer products.

Electrical Characteristics

Parameter	Symbol	Min	Typ	Max	Unit	Condition
Operating Voltage	Vdd	-	3.0	3.5	V	
Operating Current	Iop	-		100	uA	Vdd=3V , No load
Quiescent current	Istb	-		5	uA	Vdd=3V
BZ Driving current	Idrv		20	-	mA	Vdd=3V, Vds=0.7V
LED driving current	Iot	5	-		mA	@Vds=1.2v
Oscillator Frequency	Fosc	-	200	-	KHz	External± 30%,Rosc~560Kohm
Operating Temperature	Temp	0	25	60	?	

Application Circuit:



*Substrate to VDD